



PASS THROUGH REFRIGERATED CABINET 2/2 LOCKABLE DOORS WITH LED LIGHT

Capacity. 1400LTR (2/1GN)
Temperature Range. -2°C to +5°C @ +43°C

Main Features

Extended Warranty – 5/2yrs Parts and Labour

High-Performance – 60mm high-density (45kg/m3) rigid foam polyurethane insulation, Zero Ozone Depleting – (100% CFC & HCFC Free)

Adaptive Precision Controller – adaptive and remarkably flexible IP65 Water & Dust Ingress Protected 'Intelligent' controller with (LCD) Liquid Crystal Display for clear text monitoring of temperatures, functions, cycles, alarms, compressor running, defrost cycle, dripping indicator, temperature & humidity level indicator, cooling, door open alarm, and clean condenser. Built-in features include; audible and visual multi-function alarm alert system, fan speed management system, auto self-diagnostics system, and Intelligent Defrost System

Intelligent Defrost Systems (IDS) – demand responsive, reliable and highly-efficient 'hot-gas' defrost eliminating the need for extra energy input will only initiate when necessary & only when necessary without consideration of previous defrost cycles and without the need for predetermined time-based defrost intervals

AISI304 Cr Ni 18/10 Construction – exterior / interior in high-grade food safe stainless steel interior includes insulated floor base, heavy-duty ramp, and internal perimeter bumper

Adjustable Humidity Control – adjustable humidity level from between 60% - 90% in increments of 1% via the controller allowing an ideal level of humidity for any food type being stored

Soft-start Refrigeration System – greatly reduces power absorption on cooling cycle start-up and reduces typical wear and tear on refrigeration components

Solid Panel Door – reversible AISI304 insulated solid stainless steel panel door with full-height radius door handle and mechanical key lock, self-closing with 180° opening and 'stop' (remains open unassisted) at 95° fitted with integrated micro-switch to facilitate cooling fan 'Cut-off' and 'Door Open' alarm

Double Door Gaskets – each refrigerated cabinet to be fitted with two (2) easily replaceable balloon type magnetic door gaskets to guarantee a highly efficient door seal and to increase overall thermal efficiency

Automatic Fan Cut-off & Door Open Alarm – door/s fitted with a micro switch to turns off cooling fans when a door is opened and reduce ambient air in-flow ensuring circulated cold air remains within the refrigerated cabinet. Audible and Visual 'Door Open' alarm activates when a door is left open or ajar

Adjustable Humidity Control – adjustable humidity level from between 60% - 90% in increments of 1% via the controller allowing an ideal level of humidity for any food type being stored

Auto Self-diagnostics – is self-adjusting to ambient and operational conditions, continually accesses the performance of the refrigeration system and efficiency

Inbuilt Defrost Waste Vaporizer – hot-gas disposal device to eliminate the defrost water (drainage not required)

Over-current / Thermal Fuse Protection – inbuilt thermal protection in the event of a thermal compromise to prevent, and limit damage to equipment's electrical components and reduce the risk of harm to the operator caused by overloads, or electrical safety breaches in unusual circumstances

Service & Maintenance – facilitated via electronic controller to report a precise log of operating temperatures, cycles & alarm event history available in real time to service technicians, self-diagnostic test can be launched to ensure parameters are correct set to guarantee optimum operating capacity upon servicing/maintenance

Environmentally-friendly R290 – for high performance and significantly improved energy efficiency of up to 40% by means of unparalleled efficiency

Manufacturer Warranty. 5 Years Parts & 2 Years Labour
Temperature Range. -2°C to +5°C
Rated Ambient Class. +43°C (T Class)
Internal Capacity. 1400LTR (2/1GN)
Origin. Italy

Model VPT14.2P

Electrical Specification	
Supply voltage / Frequency.	240V / 50Hz / 1Ph
Connection rating.	2.7Amps
Connected load.	648Watts - 0,64kW

Key Information: Integral Versions (R290 / R404a)	
Internal volume.	1400 litres (2/1GN)
Number door/s.	2/2(lockable)
Type of door. (stainless steel)	Insulated panel
Door hinged.	Right / Left hand side
Drainage.	Not Required
Minimum temperature set point.	-2°C
Maximum temperature set point.	+5°C
Ambient class.	+43°C (T Class)
Adjustable humidity (adjustable in 1% increments).	60% to 90%
Minimum clearance for maintenance.	350mm
External dimensions, Width.	1760mm
External dimensions, Depth.	880mm
External dimensions, Height.	2190mm
Overall depth with Door/s open.	1644mm
Interior Dimensions. (mm)	(2)690Wx750Dx1720H
Insulation thickness.	60mm
Insulation density.	45kg/m3
Type of external material.	AISI304 Cr Ni 18/10
Type of internal material.	AISI304 Cr Ni 18/10

Refrigeration Data (R290 / R404a)	
Controller type.	Electronic
Refrigerant type.	R290 / R404a
Refrigerant Gas Quantity.	150grams / 380grams
Compressor power.	1/2 + hp / 1/2 + hp
Cooling Capacity @ +43°C.	630Watts / 770Watts
Cooling Capacity @ +32°C.	790Watts / 920Watts
Evaporator Temp.	-10°C
Cooling system type.	Ducted Forced Air
Defrost type.	Hot Gas (IDS)
Defrost waste disposal.	Hot Gas Vaporizer
Net / Shipped Weight.	500kg / 523kg

Marks of Conformity
HACCP Certified, 2006/42/CE, NF, EN 60335-1, EN 60335-2-89, EN 55014-1, EN55014-2, EN 61000-3-2, EN 61000-3-3, 2004/108/CE, RoHS, RAEE, WEEE, REACH

Included Accessories	
Door lock.	4
LED internal lighting.	Included
Insulated floor base & ramp.	Included
Internal bumper or 'nudge' bar.	Included

Versions Available	
Remote Version. (without inbuilt refrigeration unit)	VRPT14.2P
Double Glazed Argon E Tempered Safety Glass Door.	VPT14.2PV

Optional Accessories	
CPV7	Core probe
OZONEV14	Ozone steriliser
STAMPANTE/V	HACCP Printer
KSC.M	Electronic Door/s Locks (password protected)
PVTN	Double Glazed Argon E Tempered Safety Glass Door/s
PVBT	Triple Glazed Argon E Heated Tempered Safety Glass Door/s
R404a	R404a refrigerant gas
CO2	Transcritical (for remote cabinets only)

Remote Cabinet Data & Notes

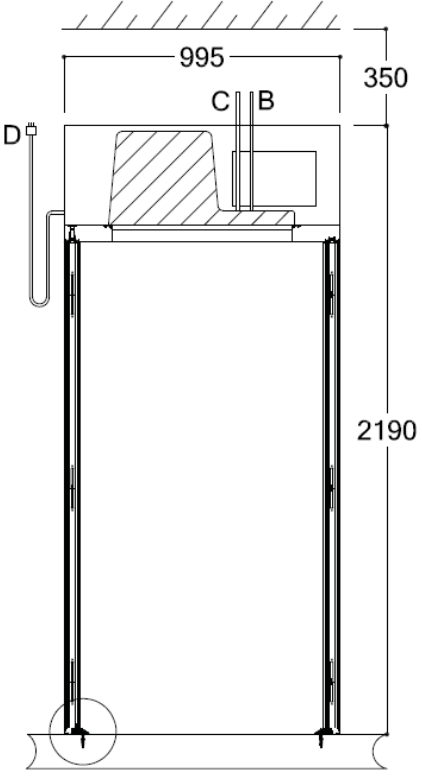
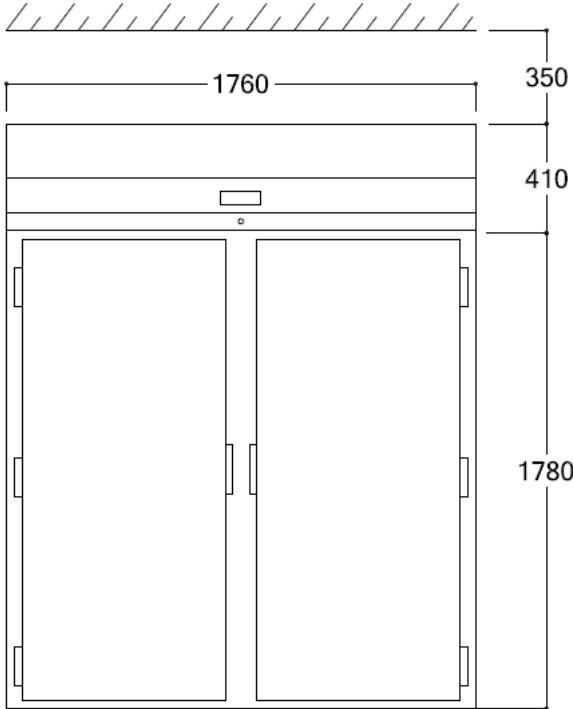
Refrigeration Duty: 605Watts @ -10°C

Remote Connections:
 B - Exit tube evaporator (suction tube) Ø 10mm
 C - Entry tube evaporator (liquid line) Ø 8mm
 D - Power lead 10Amp 3 pin

No tundish/waste drain required - auto disposal device fitted as standard

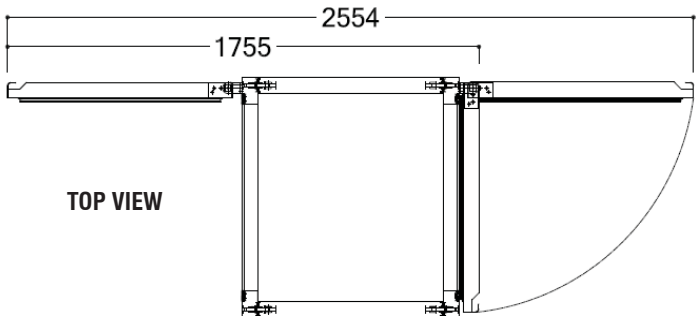
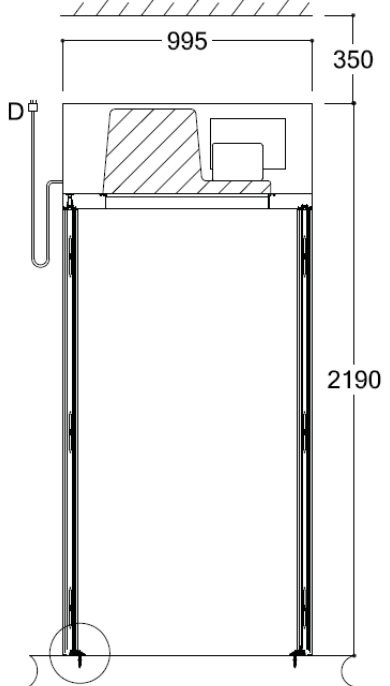
Notes: +350mm clearance above technical compartment in order to facilitate service/maintenance access, and to allow for adequate ventilation

FRONT VIEW



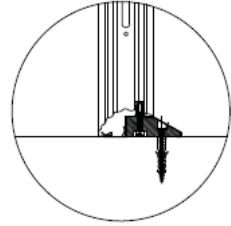
SIDE VIEW

SIDE VIEW

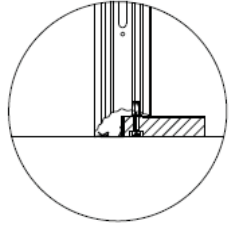


TOP VIEW

Top View drawing depicts single compartment unit, same depths apply to double compartment unit with door/s open.



Masonry Floor Fixture



Insulated Floor Fixture